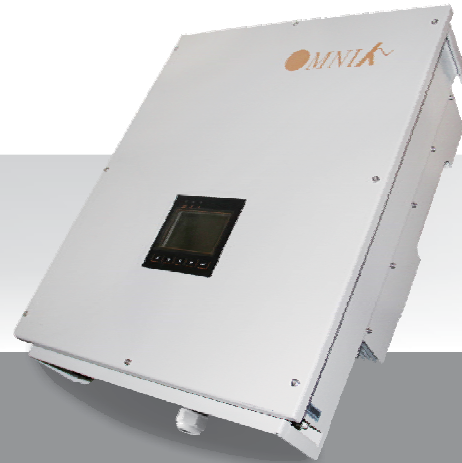


Three Phase Inverter

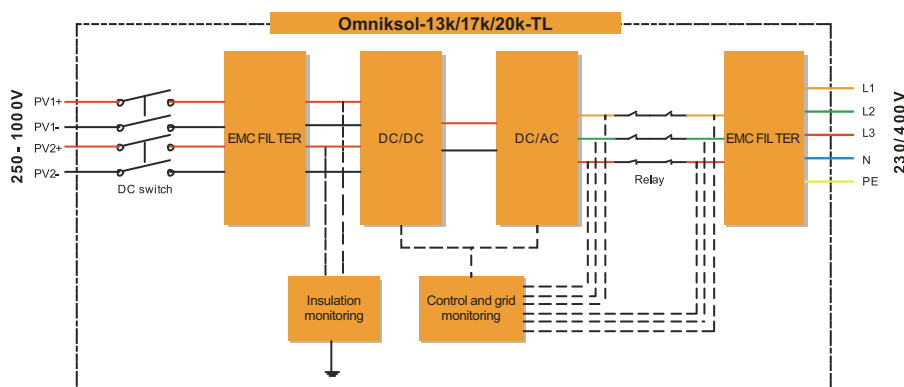
Omniksol-13k/17k/20k-TL



Product Features

【Features】	【Advantages】	【Benefits】
·5-25 years warranty as optional	·Guaranteed product quality	·High ROI
·GPRS/WiFi Kit as optional	·Monitor 4 inverters simultaneously	·Real-time remote monitoring
·External inductor	·Lower internal temperature	·Longer life cycle
·Smaller and lighter	·Easy transportation and installation	·Saving storage and installation space
·Meet VDE AR-N-4105 certification	·Adjustable active and reactive power	·Meet the latest regulations
·High performance DSP for algorithm control	·Faster CPU speed	·Higher inverter control accuracy
·Dual MPPT design	·More flexible system design	·Fit in various installation environments
·New topology design	·Max. efficiency 98.0%, Euro efficiency 97.4%	·Increase system payback ability
·Multi-button interface	·User friendly operation	·Easy to operate
·Built-in SPD as optional	·Eliminating the need for external SPD	·Simplified system structure
·Anti-shadow function	·Suitable to complex installation environment	·Increase the electricity generation of the system in shading environment

Block Diagram



Technical Data

Omniksol-13k/17k/20k-TL

Type	Omniksol-13k-TL	Omniksol-17k-TL	Omniksol-20k-TL
Input(DC)			
Max. PV Module Power [W]	15600	20400	23000
Max. DC Voltage [V]	1000	1000	1000
Nominal DC Voltage [V]	640	640	640
Operating MPPT Voltage Range [V]	250 – 800	250 – 850	250 – 850
MPPT Voltage Range at Nominal	400 – 800	440 – 850	480 – 850
Start up DC Voltage [V]	300	300	300
Turn off DC Voltage [V]	250	250	250
Max. DC Current [A]	A: 22 / B: 11	A: 22 / B: 22	A: 22 / B: 22
Max. Short Circuit Current [A]	A: 25 / B: 15	A: 25 / B: 25	A: 25 / B: 25
Number of MPP trackers	A: 1 / B: 1	A: 1 / B: 1	A: 1 / B: 1
Number of DC Connection	A: 3 / B: 3	A: 3 / B: 3	A: 3 / B: 3
DC Connection Type	Amphenol Connector	Amphenol Connector	Amphenol Connector
Output(AC)			
Max. AC Appaent Power [VA]	13000	17000	19200
Nominal AC Power [W]	13000	17000	19200
Nominal Grid Voltage [V]	3/N/PE; 220/380	3/N/PE; 220/380	3/N/PE; 220/380
	3/N/PE; 230/400	3/N/PE; 230/400	3/N/PE; 230/400
	3/N/PE; 240/415	3/N/PE; 240/415	3/N/PE; 240/415
Nominal Grid Frequency [Hz]	50 / 60	50 / 60	50 / 60
Max. AC Current [A]	20	26	29
Grid Voltage Range [V]*	185 – 276	185 – 276	185 – 276
Grid Frequency Range [Hz]*	45 – 55 / 55 – 65	45 – 55 / 55 – 65	45 – 55 / 55 – 65
Power Factor	0.9i - 0.9c	0.9i - 0.9c	0.9i - 0.9c
Total Harmonic Distortion (THD)	<2%	<2%	<2%
Night time Power Consumption [W]	<1	<1	<1
AC Connection Type	Terminal Blocks	Terminal Blocks	Terminal Blocks
Efficiency			
Max. Efficiency	98. 0%	98. 1%	98. 2%
Euro Efficiency	97. 5%	97. 6%	97. 8%
MPPT Efficiency	99. 9%	99. 9%	99. 9%
Safety and Protection			
Protection Functions	Array ground insulation resistance monitoring	Output over current protection	Residual current monitoring
	Array polarity reverse protection	Output over/under voltage protection	Surge protection
	Array over voltage protection	Output over/under frequency protection	Anti-island protection
	Array over current protection	Output short circuit protection	Over temperature protection
Protection Class	I (According to IEC 62103)		
Overvoltage Category	PV II / Mains III (According to IEC 62109-1)		
Reference Standard			
Safety Standard	EN 62109 , AS/NZS 3100		
EMC Standard	EN 61000-6-1, EN61000-6-3, EN 61000-6-2, EN61000-6-4, EN61000-3-11, EN 61000-3-12		
Grid Standard	VDE-AR-N 4105, VDE 0126-1-1, C10/11, G59/3, UTE C 15-721-1, AS4777, CEI 0-21, EN50438, NB/T32004		
Physical Structure			
Dimensions (WxHxD) [mm]	575 * 650 * 248		
Weight [kg]	45		
Environmental Protection Rating	IP 65 (According to IEC 60529)		
Cooling Concept	Natural convection		
Mounting Information	Wall bracket		
General Data			
Operating Temperature Range [°C]	-25 to +60 (derating above 45°C)		
Relative Humidity	0% to 100%,no condensation		
Max. Altitude (above sea level) [m]	2000		
Noise Level [dB]	<40		
Isolation Type	Transformerless		
Display	TFT Display		
Data Communication Interfaces	RS485 / WiFi / GPRS optional		
Guarantee	5 - 25 years optional		

*The AC voltage and frequency range may vary depending on specific country grid.