

## 3~5kW Grid-tied PV Inverters

Shanghai Chint Power Systems Co., Ltd. has been dedicating to the development of PV inverters which are widely welcomed by customers from domestic and abroad. With our consistent research and development, Chint Power launches SCJ series as a new generation of Grid-tied PV inverters.

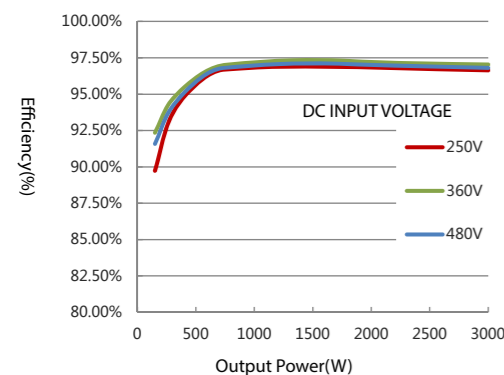
CPS SCJ series 3-5kW PV inverters are applicable to various kinds of residential and commercial rooftops. Compact size, fanless design and comprehensive protection raise the reliability of the PV system and ensure the generation yield is stable for customers in the long run. The Max. conversion efficiency of the product reaches up to 97.4%; Euro efficiency is 96.9% and MPPT efficiency is 99.5%. Integrated DC switch is optional for CPS SCJ 3-5kW series PV inverters. Multiple communication methods are also available to enhance the safety and communication capabilities of CPS SCJ 3-5kW series inverters.



CPS SCJ3KTL-SM  
CPS SCJ4KTL-SM  
CPS SCJ5KTL-SM

### Efficiency Curve

CPS SCJ 3~5KTL-SM



### High Efficiency

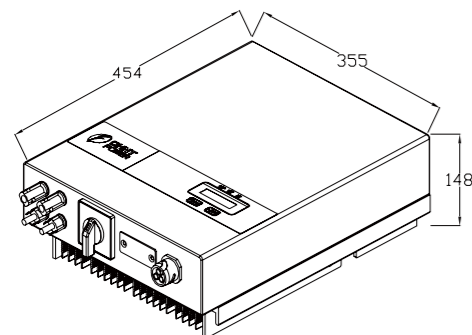
- Max. efficiency up to 97.4%
- Euro efficiency is 96.9%
- MPPT efficiency is 99.5%

### Reliability

- Comprehensive protection functions
- Fanless compact design, maintenance free

### Flexibility

- Super wide input voltage range(80V-600V), supporting all varieties of solar panels and string designs
- Integrated RS232/Wi-Fi/GPRS interfaces
- IP65 protection degree, outdoor application available



3-5KW Dimension Diagram



Type	CPS SCJ3KTL-SM	CPS SCJ4KTL-SM	CPS SCJ5KTL-SM
<b>Input (DC)</b>			
Max. DC Power [W]	3500	4600	5300
Max. DC Voltage [V]		600	
MPPT Voltage Range [V]		90-550	
Nominal DC Voltage [V]		360	
Start Voltage [V]		100	
Min. DC Voltage [V]		80	
Max. DC Input Current PV1/PV2 [A]		11/11	
Number of DC Connection Sets per MPPT		1/1	
Number of MPPT		2	
DC Switch		Optional	
<b>Output (AC)</b>			
Rated AC Power [W]	3000	3680/4000	4600/5000
Max. AC Power [W]	3300	3680/4400	4600/5000
Rated AC Current [A]	13	16.0/17.4	20.0/21.7
Max AC Current [A]	15	16.0/21.0	25
Nominal AC Voltage/Range		220V,230V,240V/180V-280V	
Grid Frequency/Range		50,60Hz±5Hz	
Power Factor (cosφ)	>0.99 (Full load)		0.9 leading~0.9 lagging
Total Harmonic Distortion		<3%	
Free-in Phase / Connection Phase		1/1	
<b>Efficiency</b>			
Max. Efficiency	97.4%	97.4%	97.3%
Euro Efficiency [At 360Vdc]	96.9%	96.8%	96.6%
MPPT Accuracy		>99.5%	
<b>Protection</b>			
Internal Over-voltage Protection		Integrated	
DC Insulation Monitoring		Integrated	
DCI Monitoring		Integrated	
GFCI Monitoring		Integrated	
Grid Monitoring		Integrated	
AC Short Circuit Current Protection		Integrated	
Thermal Protection		Integrated	
Anti-island protection monitoring		AFD	
<b>Interface</b>			
AC Connection		Plug-in connector	
DC Connection		MC4/H4	
LCD / LED Display		LCD ( 16x2 Characters, Backlight ) / LED ( 3 Lights)	
Display Language		English	
Datalogger & Communication		RS232 ( Standard ) / Wi-Fi,GPRS(optional)	
<b>General Data</b>			
Topology		Transformerless	
Consumption at Night [W]		<0.2	
Consumption at Standby [W]		6	
Operating Temperature Range		-25°C to +60°C ( 45°C to 60°C with derating)	
Cooling Method		Natural Convection	
Ambient Humidity		0% to 98% Non-condensing	
Altitude		Up to 2000m (without derating)	
Noise [dBA]		<25	
Ingress Protection		IP65 (Indoor & Outdoor Installation )	
Mounting		Rear Panel	
Dimensions (W*H*D) [mm]		454*355*150	
Weight [kg]		16.2	
Standard Warranty [Year]		5 ( Standard ) / 10 / 15 / 20 / 25 ( Optional)	
Certificates		IEC62109-1/2, IEC61000-6-2/3, IEC61683, IEC60068-2, IEC62116, IEC61717, PEA/MEA, NRS 097-2-1, UTE-C-15-712-1, TF3.2.1, VDE0126-1-1/A1, VDE-AR-N 4105, AS4777.2, AS4777.3, C-TICK, CQC NB/T 32004, G83-2, G59-3, NBR 16149, NBR 16150, C10/11	

Remarks: 1. Meet the grid standard that AC current per phase not exceeding 16A. 2. Meet the VDE-ARN-N 4105 that biggest apparent power of single-phase is 4600 VA.

Inverter

Inverter